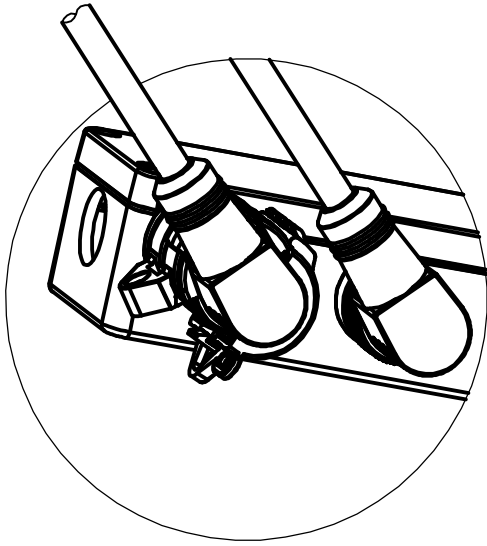
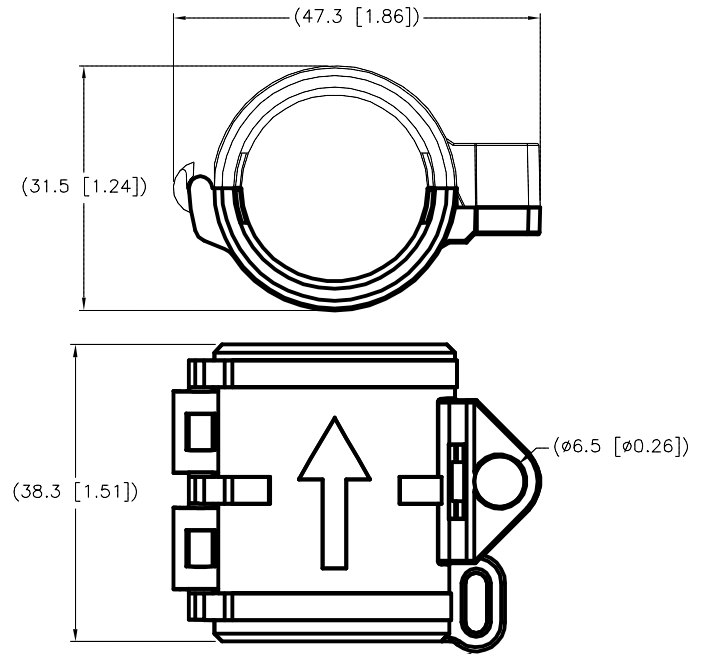


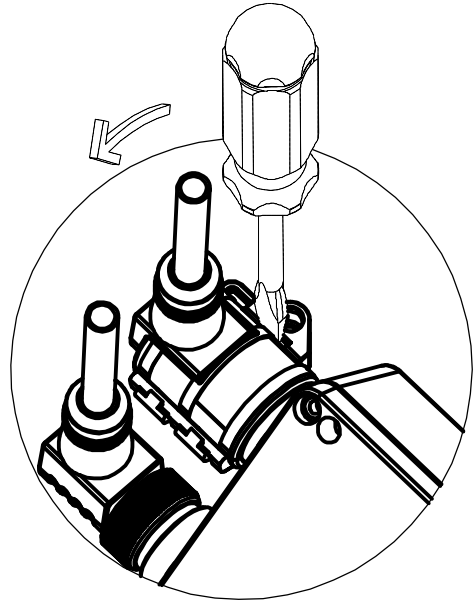
SPECIFICATIONS	
HOUSING MATERIAL/COLOR	NYLON 66/BLACK



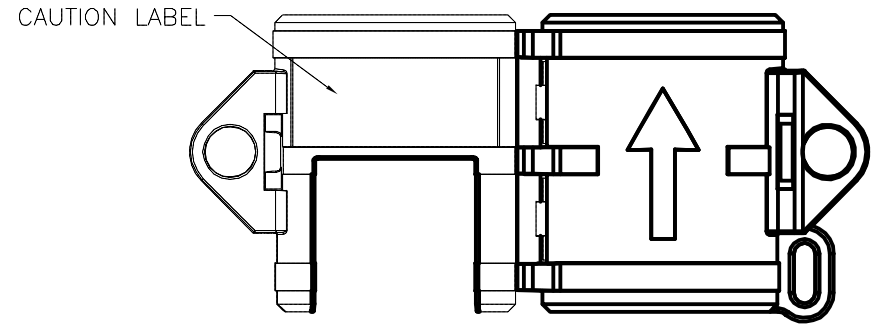
TO INSTALL LOCKOUT DEVICE, PLACE AROUND CORDSET END AND CLOSE UNTIL CONNECTOR SNAPS CLOSED.



RECEPTACLE FOR OPTIONAL TETHER STRAP



TO REMOVE LOCKOUT DEVICE, INSERT SMALL SCREWDRIVER INTO LOCKING GROOVE AS SHOWN IN PICTURE. ROTATE SCREWDRIVER IN DIRECTION SHOWN UNTIL LOCKING DEVICE RELEASES.



OPENED VIEW OF LOCKOUT DEVICE

SOURCE DRAWING - FOR REFERENCE ONLY

LOCKOUT DEVICE FITS TURCK MOLDED RIGHT ANGLE (90 DEG.) MINIFAST A SIZED CORDSETS TO MINIFAST RECEPTACLES.

RELATED DOCUMENTS		3RD ANGLE PROJECTION		THIS DRAWING IS CONFIDENTIAL AND THE PROPERTY OF TURCK INC. USE OF THIS DOCUMENT WITHOUT WRITTEN PERMISSION IS PROHIBITED.		TURCK 3000 CAMPUS DRIVE MINNEAPOLIS, MN 55441 1-800-544-7769 (763) 553-7300 (763) 553-0708 fax www.turck.us	
1.			DRFT	RWC	DATE	09/13/04	DESCRIPTION LOCK-MINI-ANGLE (10/BAG)
2.			APVD		SCALE	1 = 1.0	
3.		ALL DIMENSIONS DISPLAYED ON THIS DRAWING ARE FOR REFERENCE ONLY CONTACT TURCK FOR MORE INFORMATION	UNIT OF MEASUREMENT		IDENTIFICATION NO.		REV
4.			MILLIMETER [INCH]		A9176		C
MATERIAL		SEE SPECIFICATION		DO NOT SCALE THIS DRAWING		FILE: A9176	SHEET 1 OF 1
FINISH		SEE SPECIFICATION					

C	UPDATE PARTS USED IN THE ASSEMBLY	RDS	10/12/17	55161
REV	DESCRIPTION	BY	DATE	ECO NO.